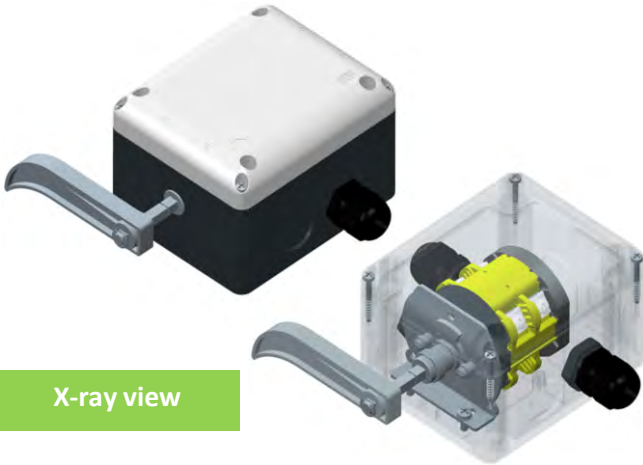




## Picture



contact open  
 contact close

## X-ray view

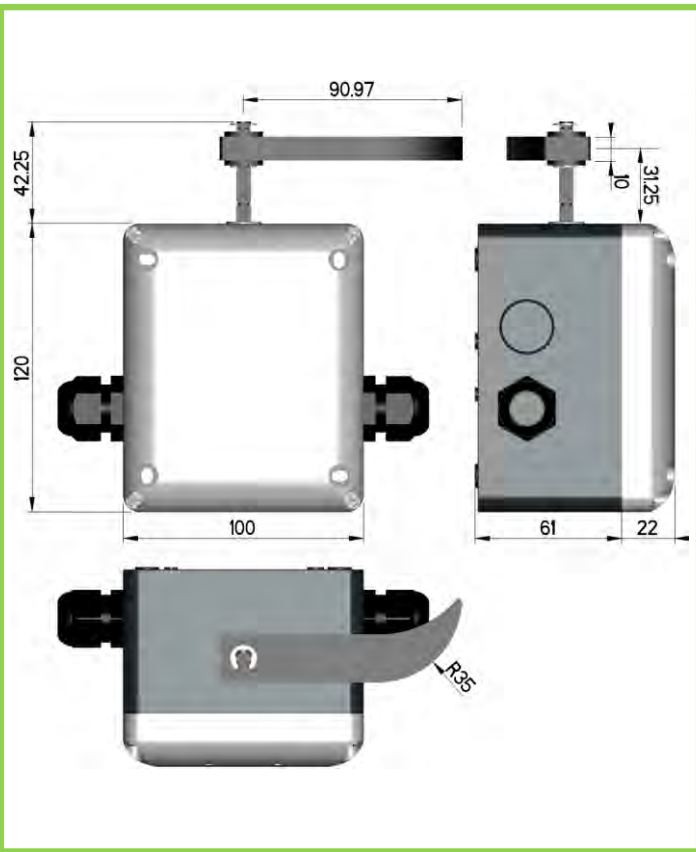
## Versions

FCP245	single speed	<p>3 positions automatic return to "0" with mechanical interlock (●)</p>	<table border="1"> <tr> <td>3-4</td> <td><input checked="" type="checkbox"/></td> <td><input type="checkbox"/></td> </tr> <tr> <td>1-2</td> <td><input type="checkbox"/></td> <td><input checked="" type="checkbox"/></td> </tr> <tr> <td>Cont. Pos.</td> <td>-50°</td> <td>0</td> <td>+50°</td> </tr> </table>	3-4	<input checked="" type="checkbox"/>	<input type="checkbox"/>	1-2	<input type="checkbox"/>	<input checked="" type="checkbox"/>	Cont. Pos.	-50°	0	+50°
			3-4	<input checked="" type="checkbox"/>	<input type="checkbox"/>								
1-2	<input type="checkbox"/>	<input checked="" type="checkbox"/>											
Cont. Pos.	-50°	0	+50°										
<p>↑ Other versions available on request</p>													

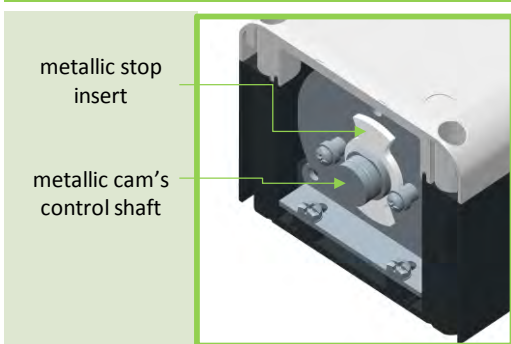
## Characteristics

Standards	IEC/EN 60947/3	
Case	self extinguishing housing V0 UL94	
Protection class IEC/EN 60529	IP65 (double insulation )	
Cam switch	enclosed thermal current [I <sub>the</sub> ]	40A
	rated insulation voltage [U <sub>i</sub> ]	690V
	product ID	CX40 Giovenzana line
	contacts	double gap positive opening
	markings	
Cable entry	M20 (max 8)	
Versions	two pole on-off switch (other configuration on request)	
Notes	- reinforced mechanical stop	

## Dimensions



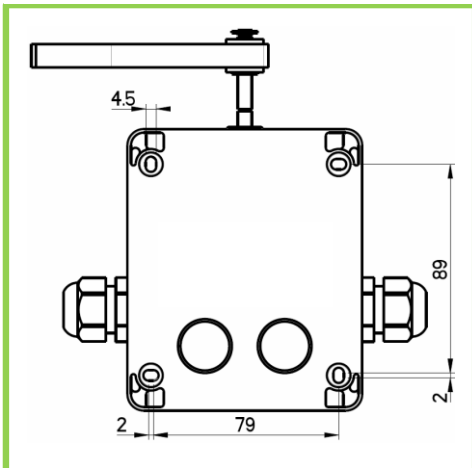
## Reinforced mechanical stop insert



## Section view



## Fixing holes



LIMIT SWITCHES